

The UK's Best Selling Aluminium Bi-Folding Door

SYSTEMS
SPECIFICATIONS

- Configurations explained.
- Minimum & Maximum sizes for each configuration.
- Colours, Lead times & Delivery date process.
- Profile technical details.
- Threshold technical details.
- Cill technical details.
- Add-on Technical details.



PROFILE
VISOFOLD 1000

OPTIONAL
PAS24 SECURITY

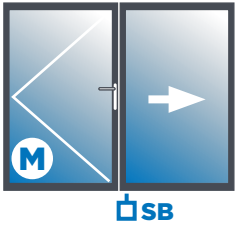
DETAIL
THERMAL EFFICIENCY

VISOFOLD 1000 Profile

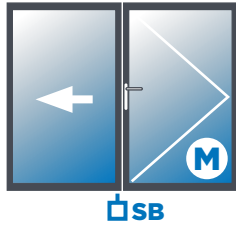
Aluminium Bi-Folding Doors

CONFIGURATIONS

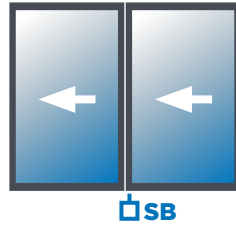
FRENCH DOOR 1



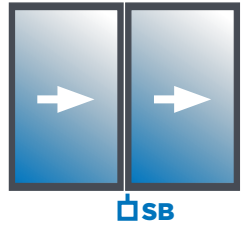
FRENCH DOOR 2



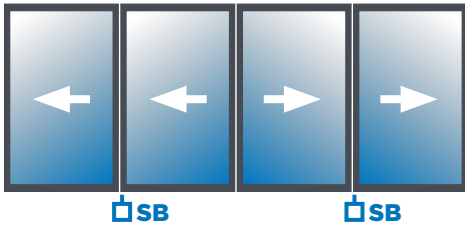
2-2-0






2-2-2



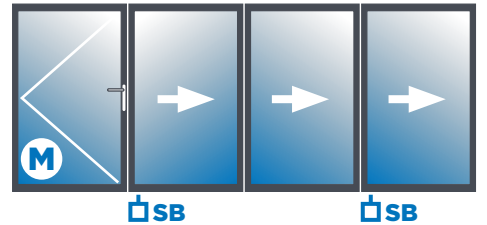
4-2-2



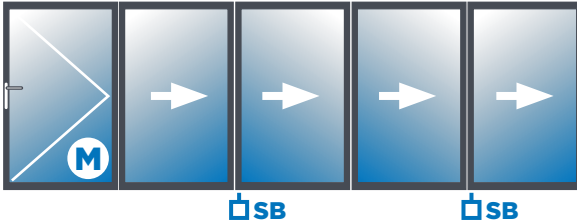
KEY

-  No external Access
-  Master door
-  Shoot Bolt

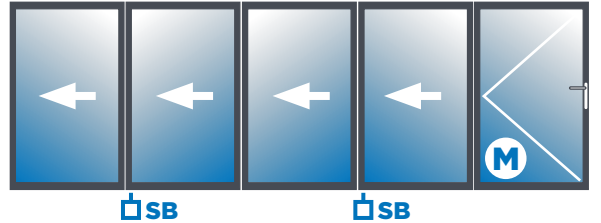
4-1-3



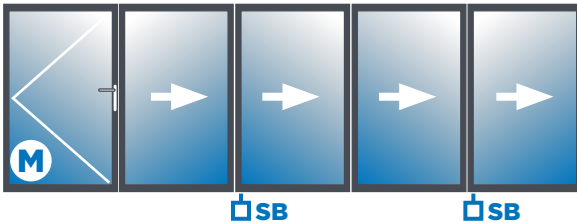
5-0-5



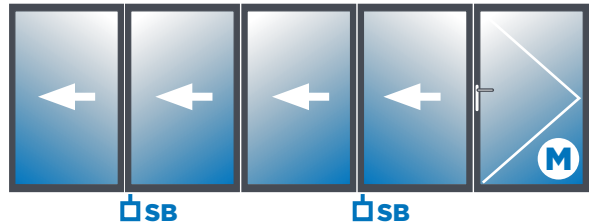
5-5-0



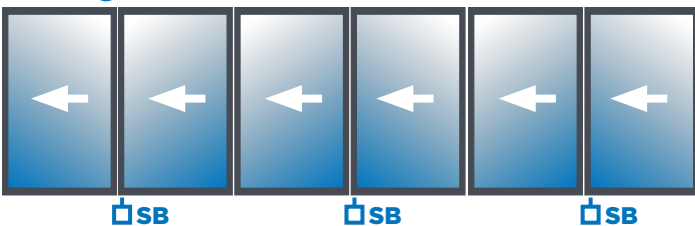
5-1-4



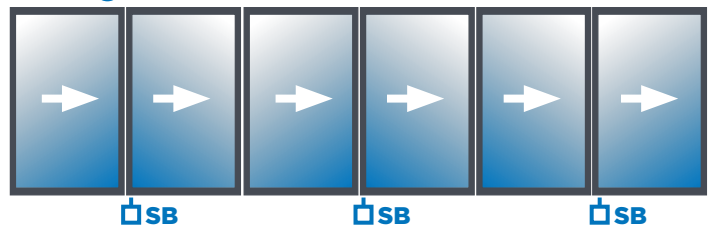
5-4-1



6-6-0

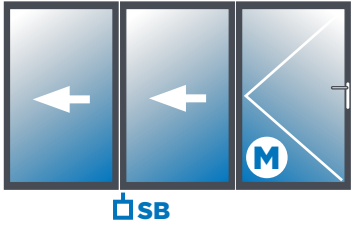


6-6-6

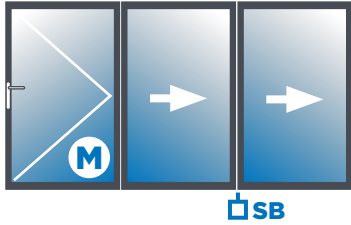


NUMBERS EXPLAINED: (example 4-3-1) The first number indicates sashes per door set, the second number indicates sashes that open to the left. The third number indicates sashes opening to the right

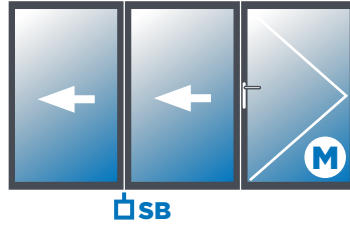
3-3-0



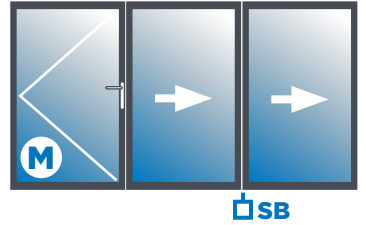
3-0-3



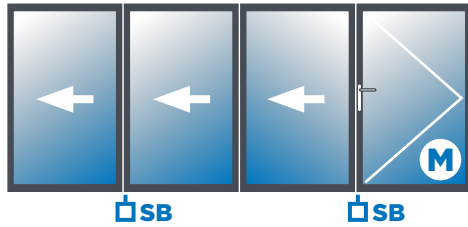
3-2-1



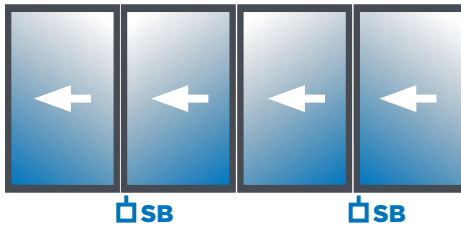
3-1-2



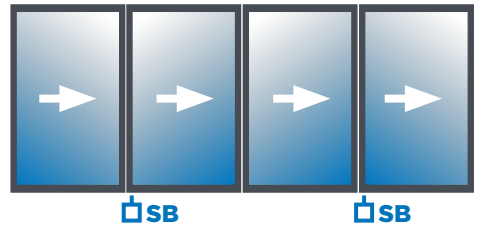
4-3-1



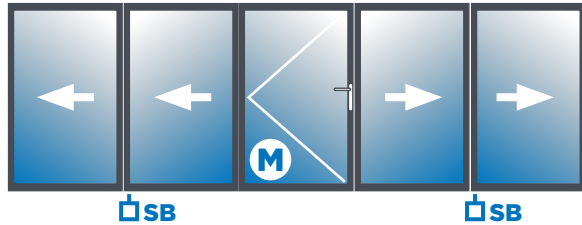
4-4-0



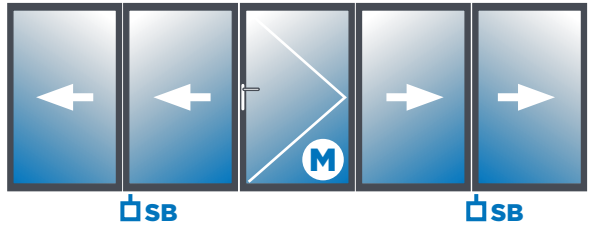
4-0-4



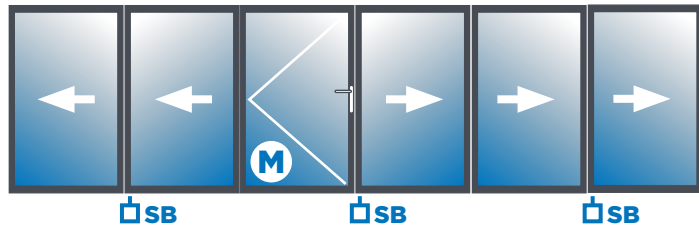
5-3-2



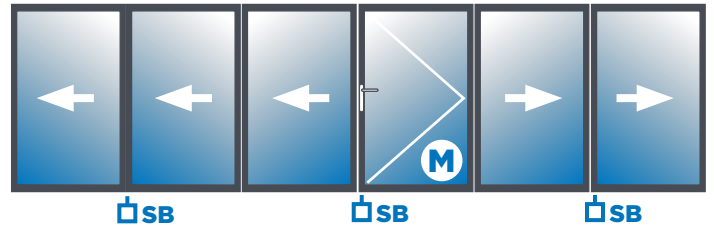
5-2-3



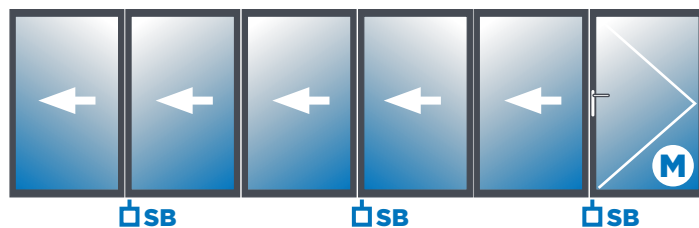
6-3-3



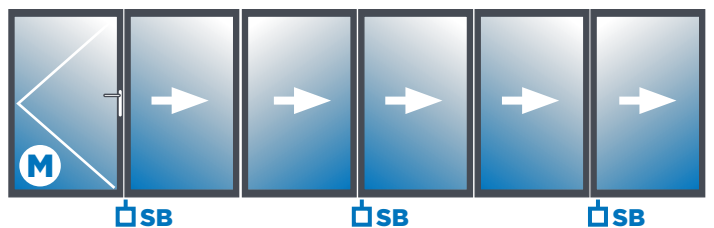
6-3-3



6-5-1



6-1-5



VISOFOLD 1000 Profile Aluminium Bi-Folding Doors

MINIMUM & MAXIMUM SIZES FOR EACH CONFIGURATION

These are design limitations based on the configuration style you require. It can differ depending on the circumstances or additions you require i.e. 42mm or 20mm add-ons to the sides, top or bottom. As a general guide we don't manufacture the sashes less than 700mm or more than 1200mm.

Exceptions can be made, but we will require a disclaimer for your order to proceed.

WITH A MASTER DOOR:

CONFIGURATION:	MIN (mm):	MAX (mm):
FRENCH DOORS	1300	2506
3 PANE DOORS	1900	3707
4-3-1 DOORS	2500	4929
5 PANE DOORS	3100	6129
5-4-1 DOORS	3100	6176
6-3-3 or 6-5-1 DOORS	3700	6400
7 PANE DOORS	4300	6400

WITHOUT A MASTER DOOR:

CONFIGURATION:	MIN (mm):	MAX (mm):
2 PANE DOORS	1545	2543
4-4-0 DOORS	2965	4965
4-2-2 DOORS	3015	5012
6-6-0 DOORS	4390	6400

We do not manufacture larger than 6400mm in width.

Max height we manufacture to (without the addition of a frame extension to the top or bottom) is 2584mm.

Maximum sizes before door sets need to be delivered in KIT form for transportation on our vehicles:

WIDTH: 5700mm HEIGHT: 2350mm

Please contact the office if unsure or additional information is required

SYSTEM SPECIFICATIONS

COLOURS, LEAD TIMES, & DELIVERY DATE PROCESS

Lead times are an estimate and can be subject to change depending on the time of year and/or unforeseen circumstances resulting in a delay to your order. Clarification of the current lead time for your order will be written on the confirmation form you receive. You will also receive an official delivery confirmation via email/fax once a confirmed date has been assigned by the Transport department.

STANDARD COLOURS:

Our stock colours are: Anthracite Grey Matt (RAL 7016), SMARTS Belgian White Gloss SA018E (RAL 9910 is closest match), Black Matt (RAL 9005) & Grey Matt on White Gloss SA018E (RAL: 7016 on SMARTS Belgian White Gloss RAL 9910 is closest match). Our current lead time for stock colours is **2-3 weeks**. We work off a batching system which means that any orders that come in before 12:30pm on Friday of that week, with cleared funds for the 50% deposit (if applicable), for that week, will be processed & manufactured the following week, and planned for delivery the week after that.

SPECIAL COLOURS - SINGLE RAL

The current lead time for Single RAL requests is **3-5 weeks**. Our procedure is to cut the profile overlong and send out to the powder coating company. When it is back with us and been through our QC process we will then put the order through our batching system (see above for details on this). For this reason, you may not receive a delivery date for some time. I hope you can appreciate this as we would not want to give an expected delivery date, only for the profile to come in and not be correct and/or be damaged in some way and therefore must be rejected. This may likely result in a delay to your order and you having to re-schedule any installation(s) that you may have planned based on delivery dates supplied by us.

SPECIAL COLOURS - DUAL COLOUR

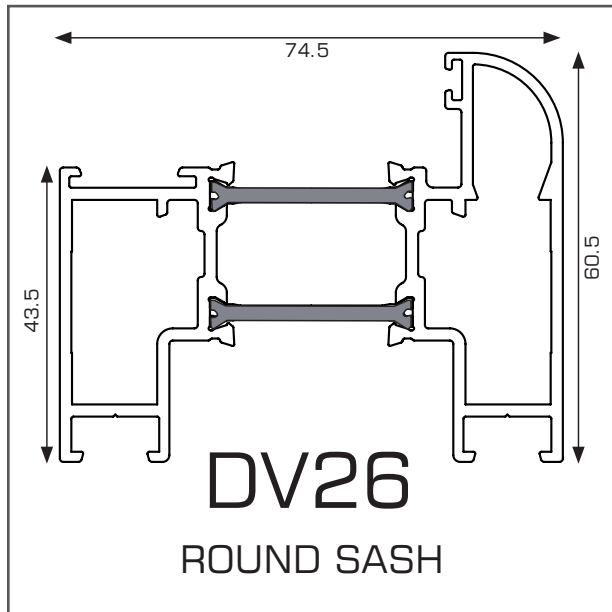
The current lead time for Dual colour lead times (different RAL on each side) is **8-10 weeks**. This profile must be run by SMARTS extrusions and we have no control of their lead times. It can take up to 8 weeks to receive the profile back from SMARTS and it is only once this has come in, and passed our QC processes, that we will then run it through our batching system (see notes on stock colours for details on our batching system). For this reason, you may not receive a delivery date for some time. I hope you can appreciate this as we would not want to give an expected delivery date, only for the profile to come in and not be correct and/or be damaged in some way and therefore must be rejected. This may likely result in a delay to your order and you having to re-schedule any installation(s) that you may have planned based on delivery dates supplied by us.

If you have any queries with the above, please contact the office.

VISO FOLD 1000 Profile Aluminium Bi-Folding Doors

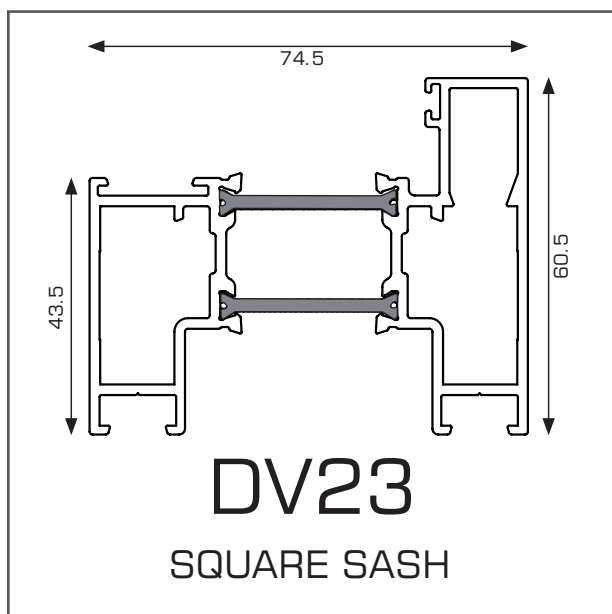
PROFILE TECHNICAL DETAILS

DV26 - ROUND SASH



With a rounded edge this particular sash profile is one of our most popular

DV23 - SQUARE SASH

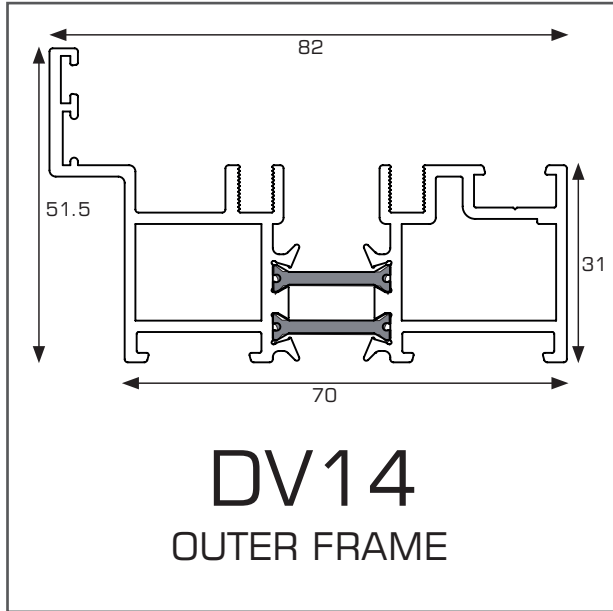


This sash profile is an alternative to the DV26 profile and has a square edge to it

SYSTEM SPECIFICATIONS

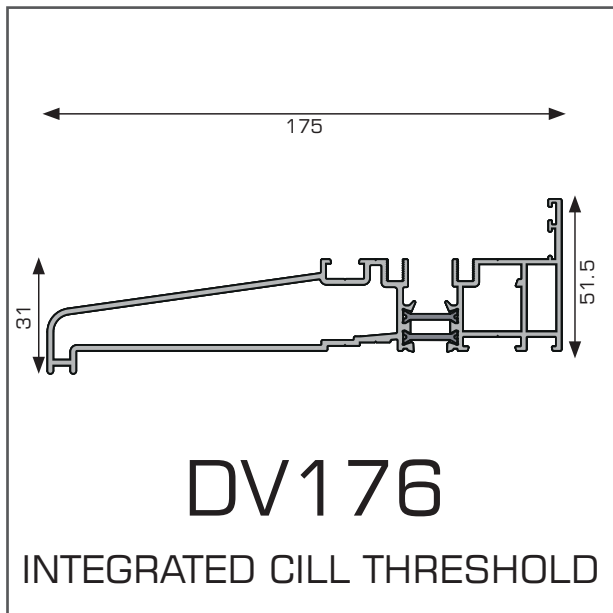
THRESHOLD TECHNICAL DETAILS

DV14 - OUTER FRAME

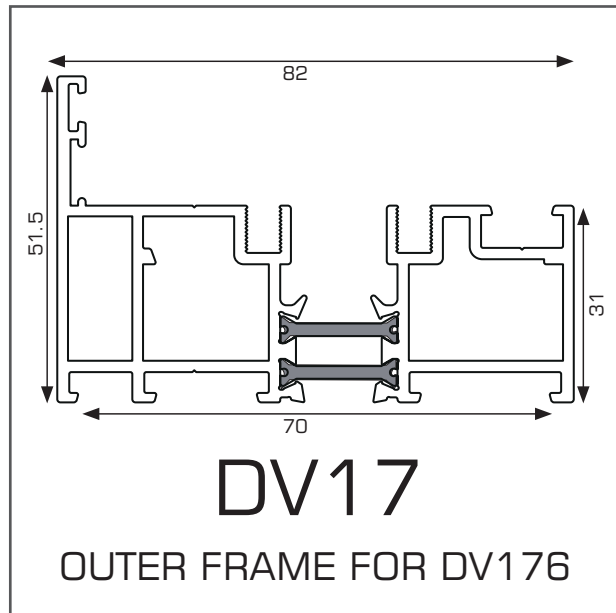


This threshold option is our standard option and is compatible with 85mm, 150mm & 190mm cill options. This threshold is weather rated and is also the same detail for the whole outer-frame

DV176 - INTEGRATED CILL THRESHOLD



DV17 - OUTER FRAME FOR DV176



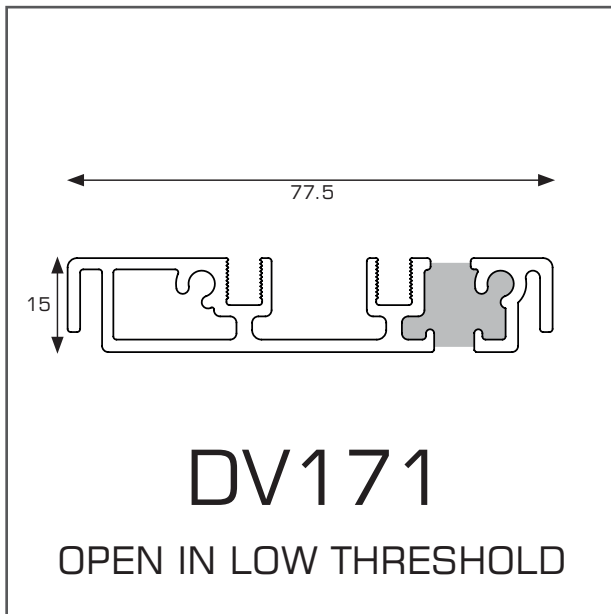
This threshold has the cill 'integrated' into the threshold so there is no option on the projection of the cill. This threshold is only compatible with the DV17 outer-frame and only comes as an 'open out' option

VISOFOLD 1000 Profile

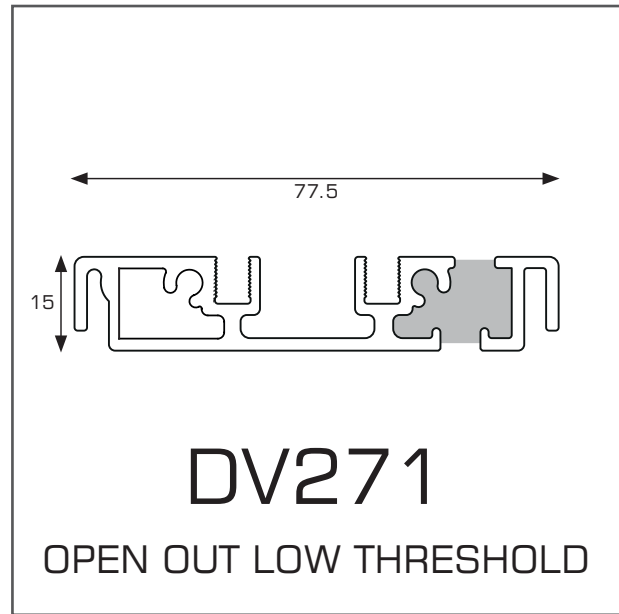
Aluminium Bi-Folding Doors

THRESHOLD TECHNICAL DETAILS

DV171 - OPEN IN LOW THRESHOLD



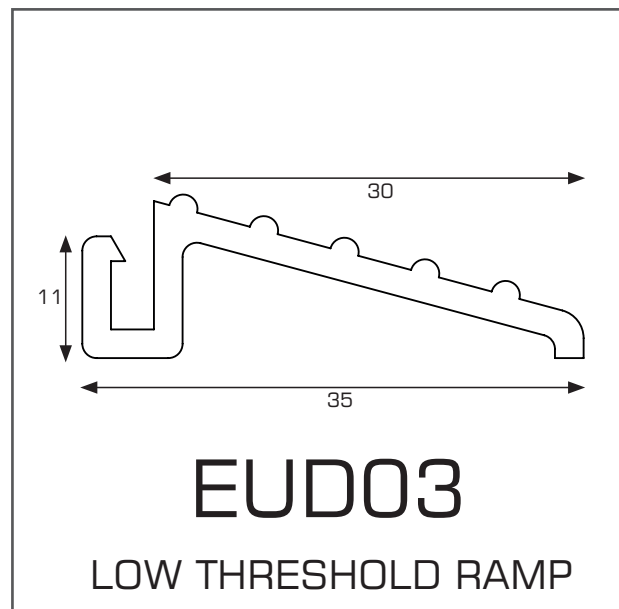
DV271 - OPEN OUT LOW THRESHOLD



This threshold is our lowest option and is compatible with 85mm, 150mm & 190mm cill options. This is also compatible with a EUD03 ramp for disabled access (details of ramp below). Due to this threshold not having a rebate this means it is NOT fully weather rated and is usually intended for room dividers and/or disabled access. The DV171 is specific to open in doors and DV271 is specific to doors that open out.

EUD03 - LOW THRESHOLD RAMP

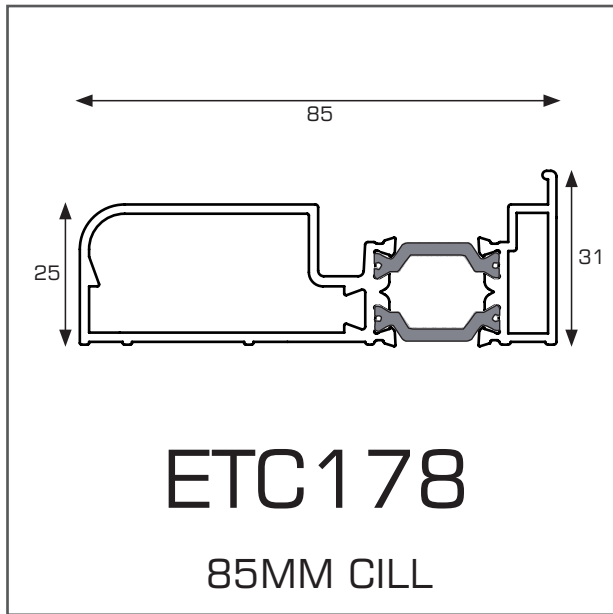
The EUD03 can be supplied with the DV271 or DV171 threshold options only. This acts as a ramp for disabled access. If you require this, please specify at the point of your quotation request



SYSTEM SPECIFICATIONS

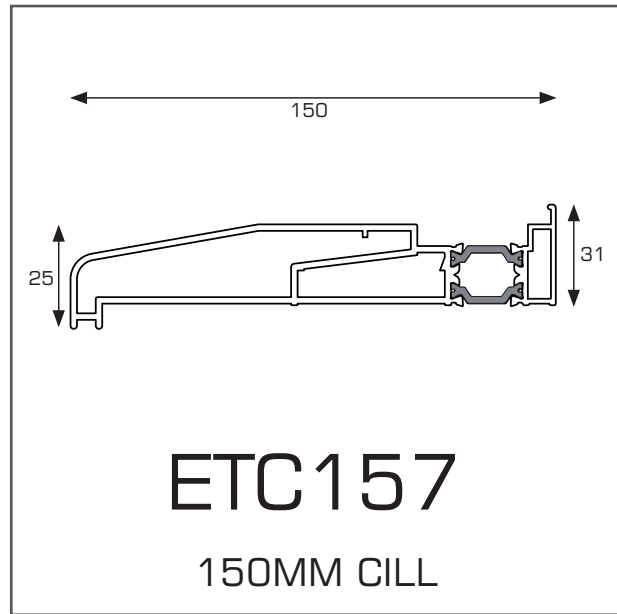
CILL TECHNICAL DETAILS

ETC178 85mm CILL



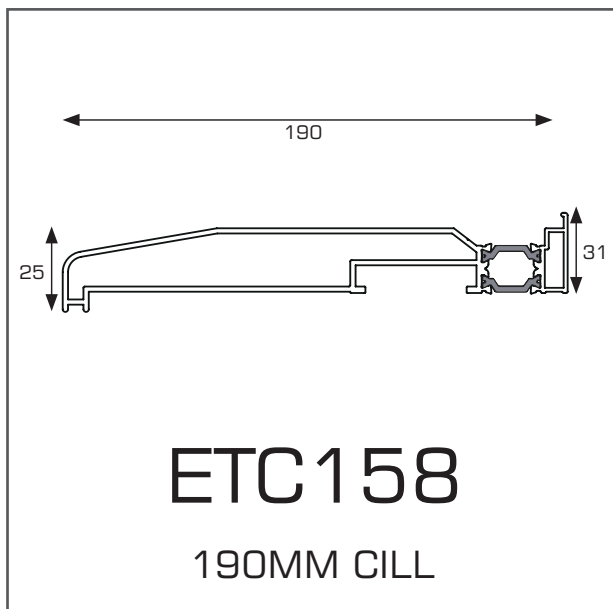
The 85mm stub cill is our smallest projection cill that we offer. It is compatible with DV14 & DV171/271 thresholds

ETC157 150mm CILL



The 150mm cill is our standard option. It is compatible with DV14 & DV171/271 thresholds

ETC158 190mm CILL



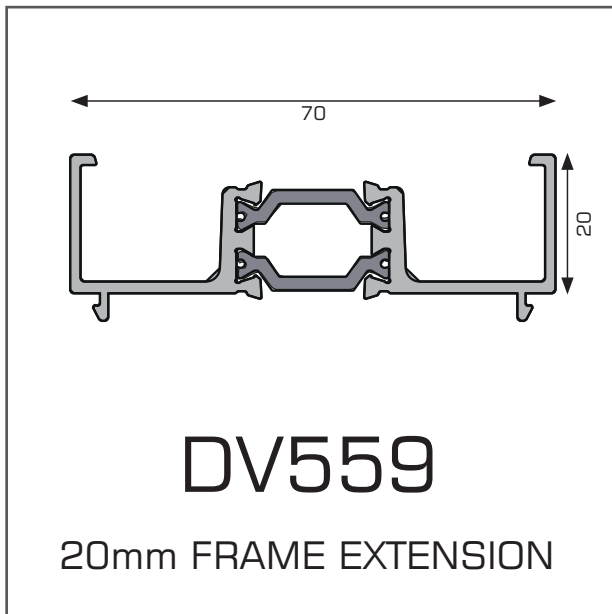
The 190mm cill is our largest projection cill that we offer. It is compatible with DV14 & DV171/271 thresholds

VISOFOLD 1000 Profile

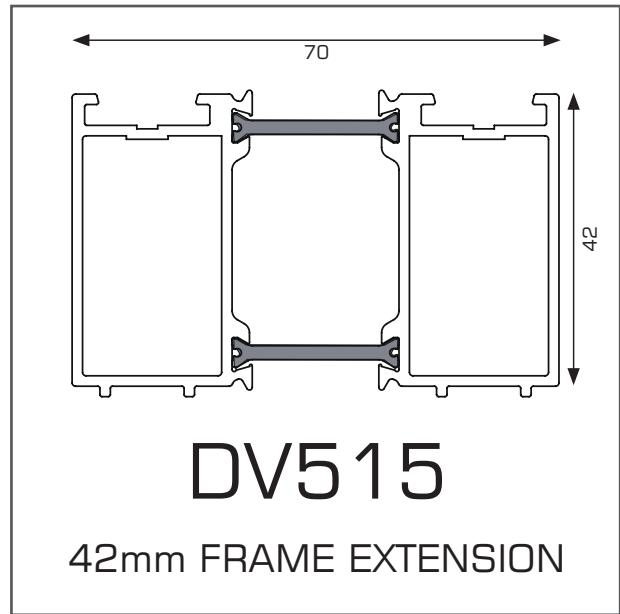
Aluminium Bi-Folding Doors

ADD-ON TECHNICAL DETAILS

DV559 - 20mm FRAME EXTENSION



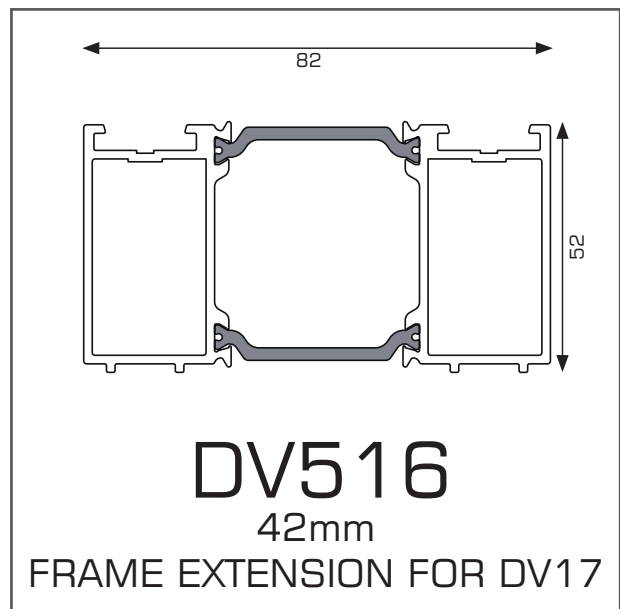
DV515 - 42mm FRAME EXTENSION



The DV515 frame extension/add-on is available as an addition to the DV14 threshold. The DV516 frame extension/add-on is available as an addition to the DV17 outer-frame.

NOTE: 42mm frame extensions are required to put trickle vents in the head of a door.

DV516 42mm FRAME EXTENSION FOR DV17



The UK's Best Selling Aluminium Bi-Folding Door

SYSTEMS SPECIFICATIONS

VERSION

VISO FOLD 1000
PROFILE

OPTIONAL

PAS24 SECURITY

DETAIL

THERMAL
EFFICIENCY

