

R₉ R₇ R² RD

RESIDENCE 9® RESIDENCE 7 RESIDENCE² RESIDENCE D

THE COMPLETE COLLECTION



WINDOWS & DOORS

THE WAY THEY'RE
MEANT TO BE™



The Complete Collection

Residence 9

It only takes 7 seconds to form a first impression, meaning that first impressions really do count. Being the first to pioneer timber alternative; Residence 9 is the traditionally modern window & door system. Beautiful traditional timber aesthetics in a modern PVC-U material. 100mm frame | 9 chambers



RESIDENCE 9

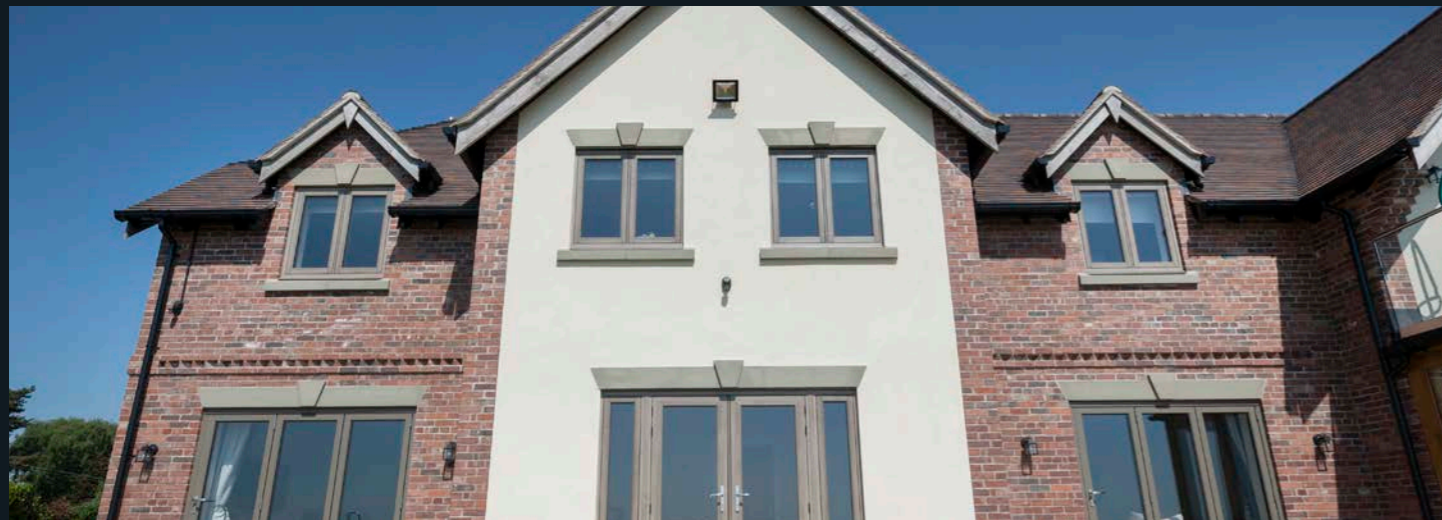


Residence 7

Fresh design and performance. For those wanting an authentic flush look, but wish to take advantage of a contemporary window and door system. Flush external and flush internal, it's unique aesthetic ensures suitability for both modern and traditional homes. 75mm frame | 7 chambers



RESIDENCE 7



Residence 2

The cool, sleek lines of the Squared frame are a minimalist's dream. R² is a truly unique window and door system. Its ground-breaking design means that it carries exquisite styling and features that are usually found on aluminium and composite systems, now in PVC-U. 100mm frame | 9 chambers



RESIDENCE 2



Residence Doors

Why compromise beauty for functionality? The range of doors available through the Residence Collection ensures there's a door for all applications. With two dedicated door sashes; open-out flush and open-in, along with complementary profiles for Engineered Doors. Doors, the way they're meant to be.



RESIDENCE D

The Residence Door Solutions

The Residence Collection offers a complete range of door solutions; available in a wide range of styles, our stylish door systems are suitable for both open-in and open-out applications.

There is a door solution per system; R7, R9 or R². Whether you want to match your windows perfectly or choose an alternative to distinguish your door differently, they all suite together perfectly.

Find out more about our Engineered Doors; no more compromising on standard composite door sizes, make a door that fits the property perfectly.

Your Home, Your Way

Create an individual design statement for any home. Add Georgian bar for a more period look or let lots of natural light in by adding sidelights to your French doors, our doors are versatile without complication.

Purposefully designed for a wide range of properties from modern new builds to city apartments and country cottages to semi-detached houses, they will be a welcome addition to any home.



WINDOWS & DOORS
THE WAY THEY'RE
MEANT TO BE™

R² French doors with Flush Door Sash in Silvered Oak along side matching R² sidelights

Engineered Doors

Residence Doors Redefined

High quality, energy efficient and secure doors can be created by using our dedicated door sashes (either open-in or open-out), the sash mullion and one of our glazing beads; glaze in a 28mm or 44mm panel along with 28mm or 44mm glass. There are so many variations, design your own, here's a few to get you started...

The Randwick



The Radcot



The Ramsden



The Rendcomb



The Redbrook



The Rudford



Superior Glazing Options

Double and Triple Glazed Options in 28mm and 44mm. Choose from Decorative, Square & Staff glazing beads.

Choose from 28mm or 44mm panels to glaze in to make the Engineered Door in any variation.

28mm or 44mm Panel Options



Two Dedicated Door Sashes

6 Chamber Door Sashes for optimised thermal performance with dedicated steel reinforcements for large sizes; open-in and open-out.

The Sash Mullion can be used to fabricate an Engineered door, as well as allowing you to have the appearance of two individual sashes if maximum glass area is required.

Sash Mullion R001SM

The Rudford Engineered Door in No.10 Black

Open-Out Flush Doors

Dedicated Flush Door Sash

Perfectly designed to be just that; a flush door sash. For that perfect timber alternative design. Choose from working or dummy butt hinges and a wide range of locks and handles.

Doors The Way They're Meant To Be

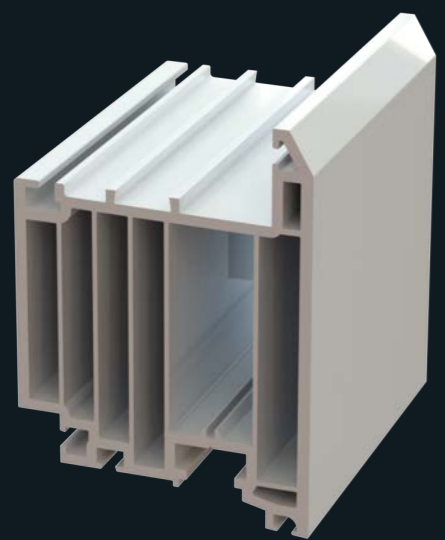
Add Georgian Bar or use the Sash Mullion to give the illusion of multiple sashes; maybe add a panel into the bottom of the door or add sidelights for maximum light into a room.

Mechanical or Welded Options

A mechanical joint block has been designed for specific use with this door sash for the ultimate alternative to timber. Also compatible with Graf, Standard Mitre, MechWeld, ETL and Timberweld[®].

Maximum Performance

The dedicated steel reinforcement chamber ensures optimum security and larger sizes, along with a triple seal gasket option.



Open-out Flush Door Sash

In keeping with the design of the windows and compatible with all frame options, the dedicated flush door sash has a steel reinforcement chamber for larger sizes.

28mm or 44mm Bead Options

Personalise the internal aesthetic with a choice of three bead styles; Decorative, Square & Staff.



Deep Timber Look Cill

Compatible with Radlington Cill. Profile add-on available.

Triple Gasket Seal Option

Fitting doors in an exposed area? No problem, with a superbly designed triple seal option that can be used when required.

Open-In Doors

Dedicated Open-in Door Sash

To ensure the Residence Collection is available to use in multiple applications, the purposefully designed open-in door sash suites perfectly with its window and door counterparts.

Doors The Way They're Meant To Be

Use the matching glazing bead to ensure window and door sight-lines work harmoniously together. The perfect solution for a Juliet balcony or for use with our Engineered Door options for an open-in entrance door.

Manufacturing Options

Fully compatible with Graf, Standard Mitre, MechWeld, ETL and Timberweld[®].

Maximum Performance

The dedicated steel reinforcement chamber ensures optimum security and larger sizes, along with a triple seal gasket option.



28mm or 44mm Bead Options

Personalise the internal aesthetic to suite with any of the Residence Collection window systems by choosing the same bead option. With a choice of three bead styles; Decorative, Square & Staff.

If all 4 sides use R² frame only. If using a low threshold (compatible with StormGuard Low threshold) any frame can be used.

Frame & Low Threshold Options



External view of R² Frame & Open-in Door Sash



Internal view next to R7 windows with 28mm Square Bead

Open-in Door Sash

In keeping with the design of the windows the dedicated open-in door sash has a steel reinforcement chamber for larger sizes.

Fitting doors in an exposed area? No problem, with a superbly designed triple seal option that can be used when required.

Triple Gasket Seal Option

Residence 9

A Blend of Old and New

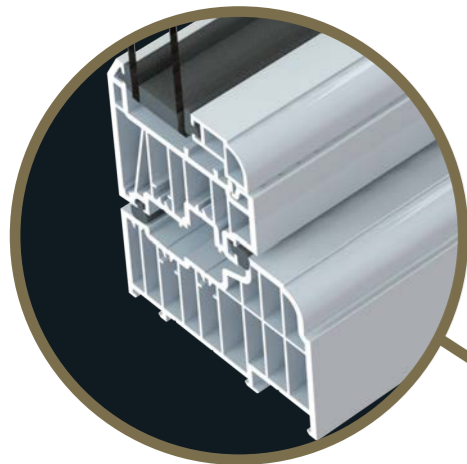
Residence 9 is proud to be designed and made in the UK. It was created with the enduring designs of British architecture in mind and has many bespoke options that can satisfy a range of properties from the grandeur of stately homes, to the solid good looks of Georgian and Victorian, right through to the present day.

Conservation Area Approved

The design brief for Residence 9 was to extract the key principles, shapes and dimensions from the Article 4 Conservation Area guidelines for windows and integrate market leading technology into the design using virtually maintenance free materials. Residence 9 is thermally and acoustically brilliant. It features the latest security, maintenance and performance innovations, whilst appearing traditional. With fully foiled rebates for the optimum timber alternative solution.

Superior Performance

28mm and 44mm glazing options as standard, along with a 9 chamber outer-frame, ensure that Passivhaus Standard U-values and the highest energy ratings can be achieved with ease.



100mm profile depth
with 9 chambers



A⁺⁺
ENERGY RATING
0.74 W/m²k
U-VALUE



Residence 7

Redefining Windows

Elegantly flush sash exterior and interior gives the R7 its chic modern appearance and the versatility to be used for both contemporary new builds and traditional British homes alike. All glass sight-lines are perfectly equal providing symmetry for a timeless kerbside appeal.

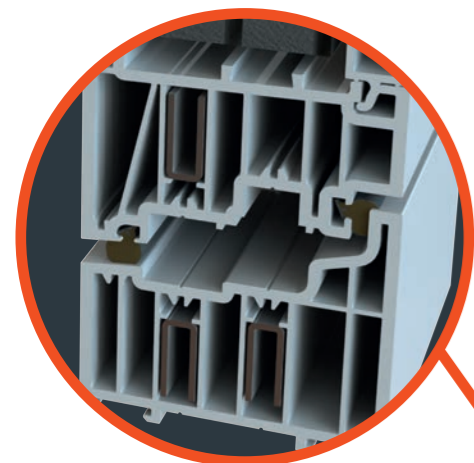
Manufacturing Techniques

Residence 7 has been designed to embrace multiple manufacturing techniques.

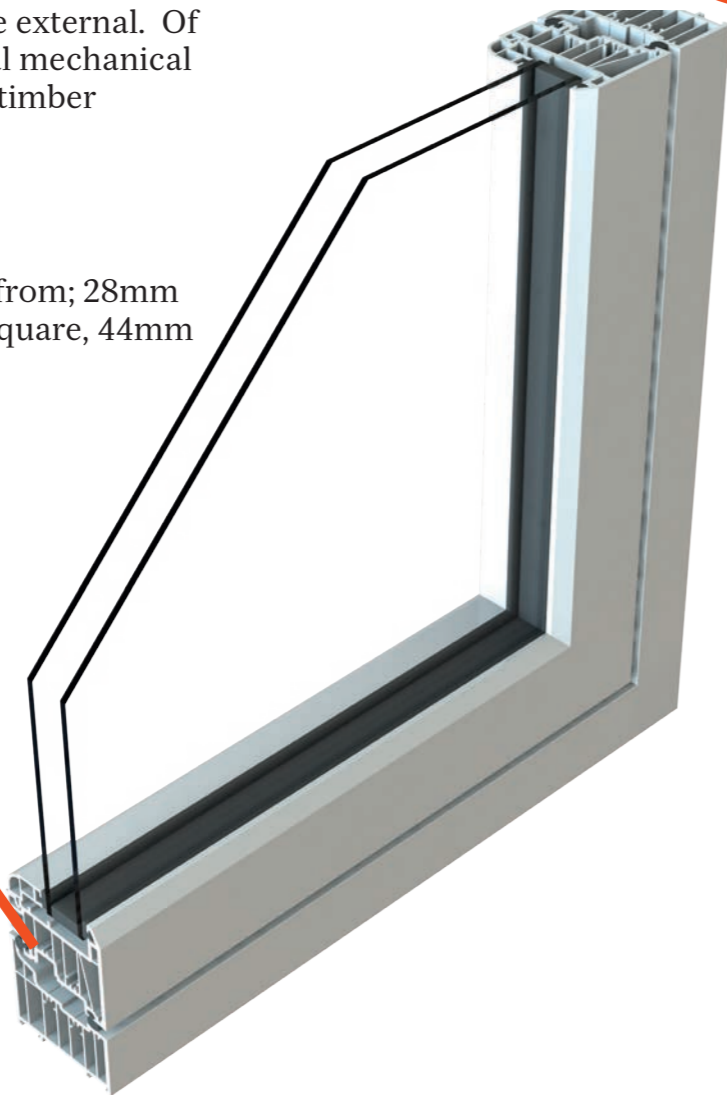
A mitre welding technique can fuse the joints together diagonally for a contemporary appearance, or choose the Graf weld for a seamless diagonal weld. The Timberweld[®] process welds the profiles with a timber look to both sides, or MechWeld/External Timber Look (ETL) gives a diagonal weld to the internal, with a timber look to the external. Of course, there's also the traditional mechanical joint fabrication for the ultimate timber alternative process.

Glazing Bead Styles

There are five options to choose from; 28mm Decorative, 28mm Staff, 28mm Square, 44mm Decorative & 44mm Square.



75mm profile depth
with 7 chambers



A⁺
ENERGY RATING
0.81 W/m²k
U-VALUE

MARKET LEADING
DESIGN FOR
MODERN LIVING



Residence²

The Bold Choice

Very clear in its' design. With a cutting edge internal shape it is unconventional and unique.

R² has been engineered to meet current and anticipated future standards, made to CEN A wall thickness which is the highest classification in Europe. Other window frames typically offer 3 or 5 chambers and are usually 70mm wide, R² has 9 chambers and is 100mm wide, resulting in superior thermal, acoustic, strength and security performances.

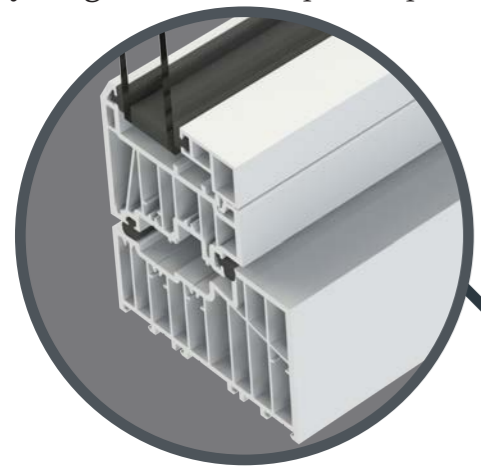
Manufacturing Techniques

R² has been designed to embrace multiple manufacturing techniques to ensure it competes with a range of other materials.

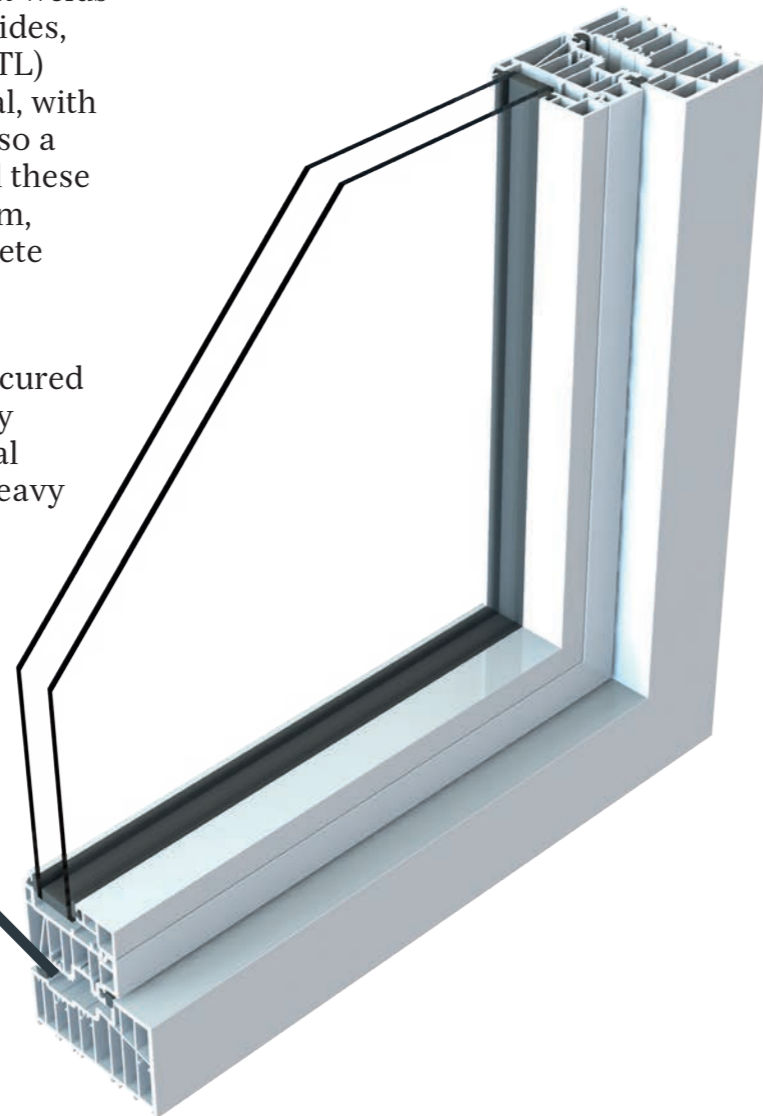
A traditional mitre weld, a modern seamless weld; Graf, the Timberweld[®] process that welds the profiles with a timber look to both sides, or MechWeld/External Timber Look (ETL) that gives a diagonal weld to the internal, with a timber look to the external. There's also a traditional mechanical joint method. All these ensure you can compete with Aluminium, Timber and Composite to offer a complete alternative solution.

R² boasts superior screw retention reinforcements, locks and hinges are secured firmly into position. It is also specifically designed to accommodate the additional weight of triple glazed units, allowing heavy duty hinges to fit and operate perfectly.

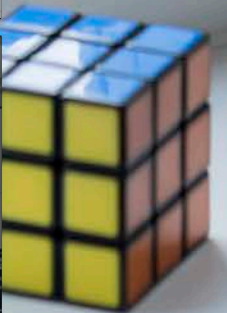
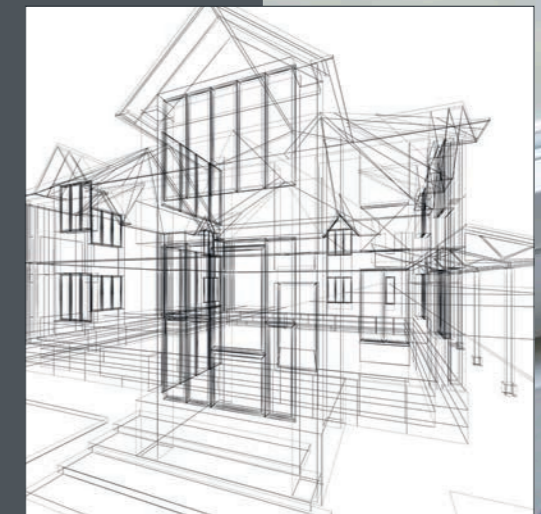
A⁺⁺
ENERGY RATING
0.79 W/m²k
U-VALUE



100mm profile depth
with 9 chambers



SQUARED.
THE ARCHITECTURAL
HIGHLIGHT OF
THE COLLECTION,
WITH CLEAN LINES
AND SUPERB
PERFORMANCE.



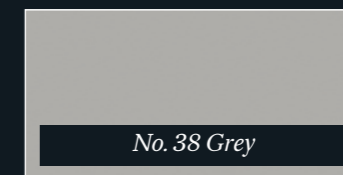
Your Colour Choices

A very diverse colour palette is at your disposal, consisting of an eclectic mix of authentic finishes covering a number of architectural styles. We can offer everything from timeless classics like Grained White to contemporary favourites such as Cotswold Green.

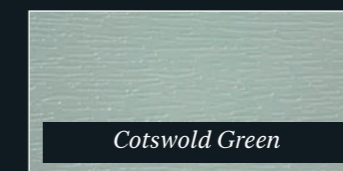
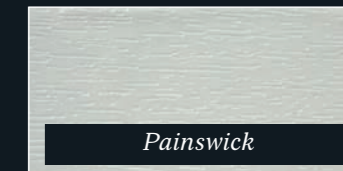
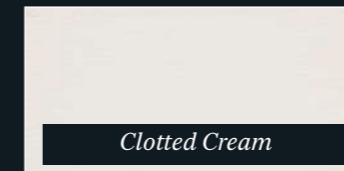
Check the website for up to date colours options per window system - www.residencecollection.co.uk
 Contact us to order a colour brochure - journey@residencecollection.co.uk



Un-Foiled Matt Finish Colour Options - (R₇ & R² Only)



Foiled Colour Options





WINDOWS & DOORS
THE WAY THEY'RE
MEANT TO BE™

THE
RESIDENCE
COLLECTION

R9 R7 R2 RD



#ResidenceCollection

T: 01452 300912 E: journey@residencecollection.co.uk W: www.residencecollection.co.uk

THE RESIDENCE COLLECTION IS REGISTERED UK TRADE MARKS OF WINDOW WIDGETS (2006) LIMITED
*Your chosen installer should do a professional survey and advise on the suitability of Residence Collection in your property and/or area.